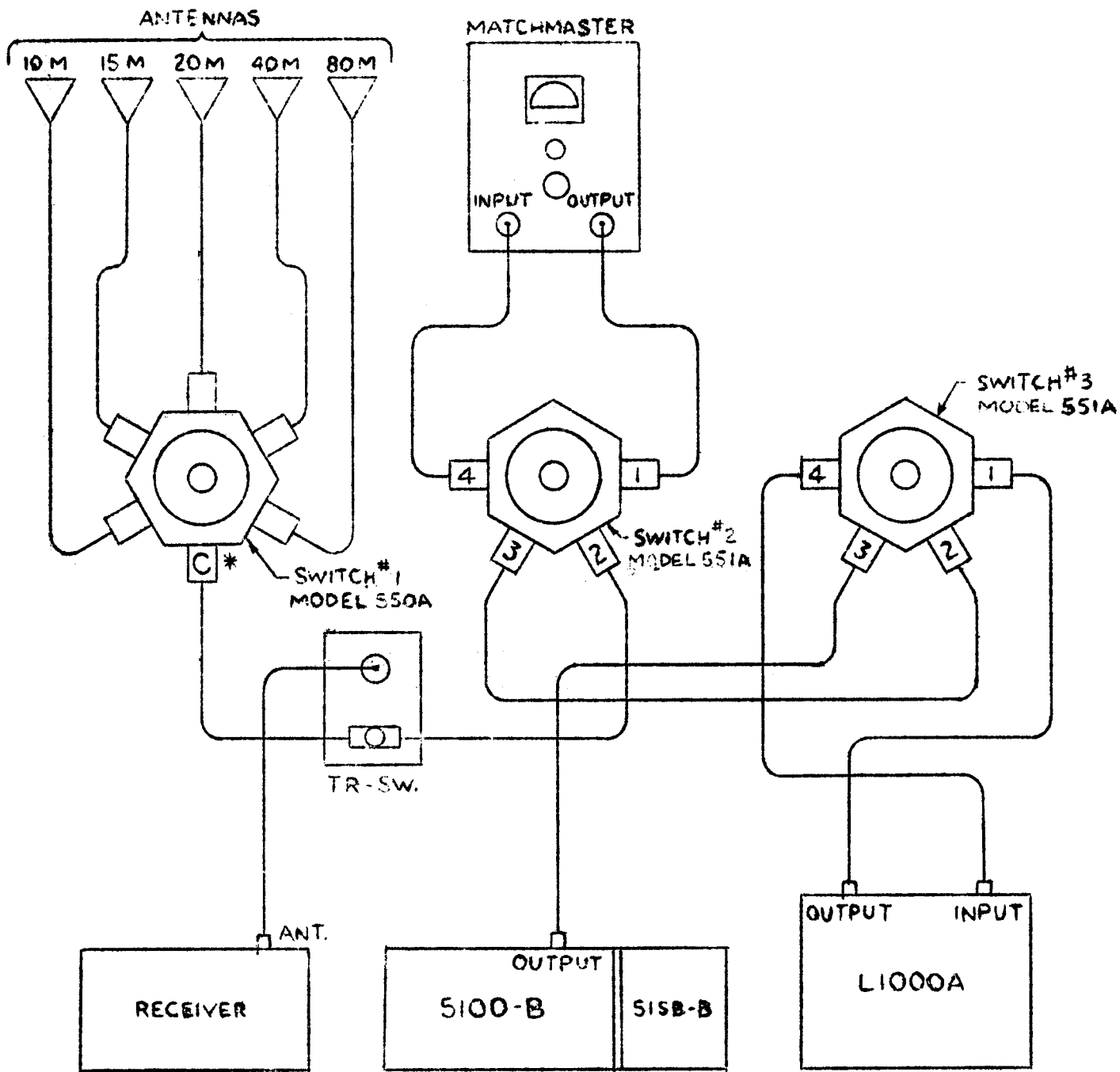


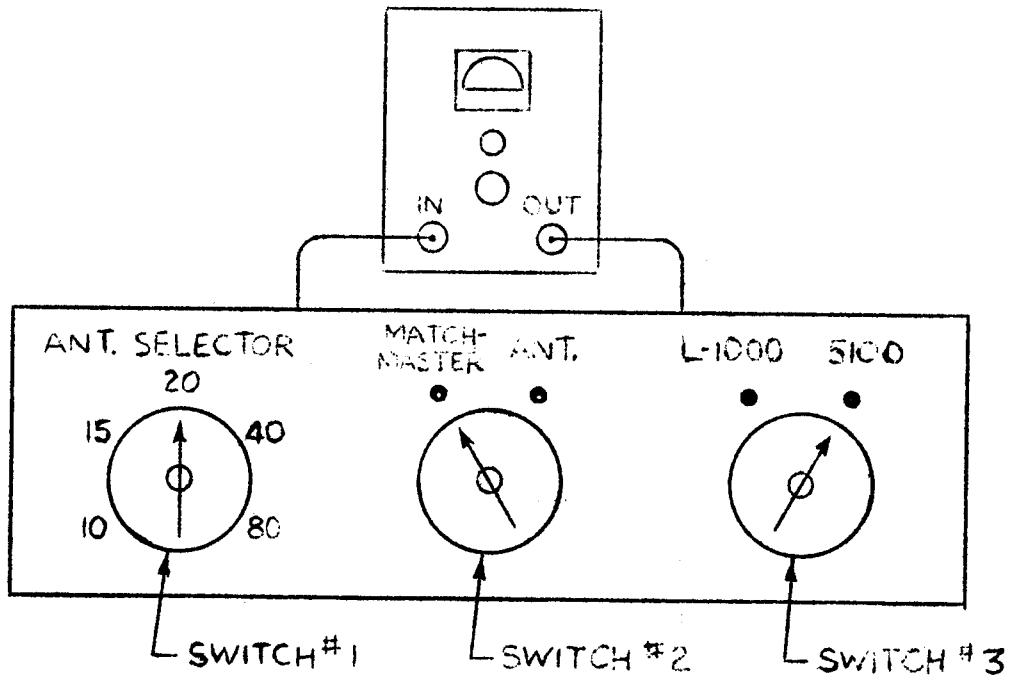
SWITCH #1 SELECTS ANY ONE OF 5 ANTENNAS FED WITH 52 OR 75 OHM LINES.

SWITCH #2 PLACES MATCHMASTER IN THE LINE FOR EITHER 5100-B OR L-1000A IN ONE POSITION AND OTHER POSITION REMOVES IT OUT OF THE LINE.

SWITCH #3 CONTROLS 5100-B OR L-1000A. IN ONE POSITION THE 5100-B IS CONNECTED TO ANTENNA, WHILE L-1000A IS DISCONNECTED. IN OTHER POSITION, 5100-B DRIVES L-1000A AND ANTENNA IS CONNECTED TO L-1000A.



* COMMON



PANEL AND SHELF ARRANGEMENT FOR:

ANTENNA SELECTOR SWITCH
 MATCHMASTER & TRANSMITTER SELECTOR SWITCHES
 MATCHMASTER SHELF